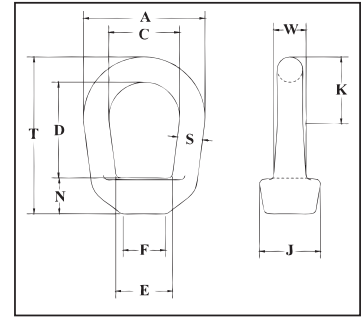




G-400
Eye Nut

- Forged Steel - Quenched and Tempered.
- Hot Dip galvanized.
- Tapped with standard UNC class 2 threads after galvanizing.
- Also available in blank (as forged) item (S-4028) or on request with metric threading (M-400).
- Recommended for In-Line pull.
- Meets or exceeds all requirements of ASME B30.26 including identification, ductility, design factor, proof load and temperature requirements. Importantly, these products meet other critical performance requirements including fatigue life, impact properties and material traceability, not addressed by ASME B30.26.



G-405 Eye Nuts

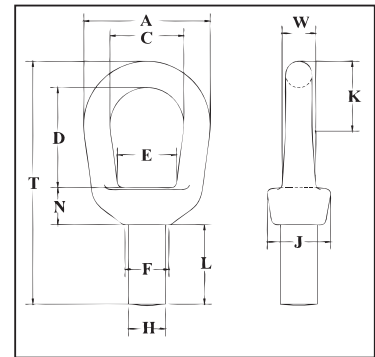
Size No.	"S" Stock Size (in.)	G-400 Stock No	Std. Tap Size (in.)	Working Load Limit (lbs.)*	Weight Each (lbs.)	Dimensions (in.)									
						A	C	D	E	F	J	K	N	T	W
1	.25	1090438	1/4	520	.09	1.25	.75	1.00	.75	.50	.69	.63	.38	1.72	.31
2	.31	1090474	3/8	1250	.17	1.62	1.00	1.20	.83	.56	.81	.89	.50	2.09	.41
3A	.38	1090517	1/2	2250	.28	2.00	1.25	1.44	1.08	.81	1.00	1.09	.62	2.55	.50
4	.50	1090535	5/8	3600	.60	2.50	1.50	1.92	1.35	1.00	1.31	1.31	.69	3.25	.69
5	.63	1090553	3/4	5200	1.00	3.00	1.75	2.38	1.59	1.12	1.50	1.57	.88	3.89	.84
6	.75	1090571	7/8	7200	1.65	3.50	2.00	2.63	1.96	1.38	1.88	1.77	.94	4.32	1.00
7	.88	1090599	1	10000	2.69	4.00	2.25	3.06	2.21	1.56	2.13	2.02	1.07	5.01	1.19
8	1.00	1090633	1-1/4	15500	4.38	4.50	2.50	3.50	2.46	1.88	2.38	2.27	1.25	5.78	1.38
9	1.13	1090651	1-3/8	18500	5.00	5.00	2.75	4.00	2.69	2.00	2.56	2.53	1.38	6.51	1.50
10	1.25	1090679	1-1/2	22500	6.78	5.62	3.12	4.31	3.09	2.25	3.00	2.82	1.50	7.06	1.66
11	1.50	1090697	2	40000	14.60	7.12	4.10	6.20	4.09	3.13	3.75	3.68	2.06	9.91	1.94

*Working Load Limit shown is for In-Line pull. Ultimate Load is 5 times the Working Load Limit. Rating based on standard tap size.



S-405
Lifting Eye

- Forged Steel — Quenched and Tempered.
- On request: threaded to customer specification.



S-405 Lifting Eyes

Size No.	S-405 Stock No	Working Load Limit Threaded (lbs.)*	Maximum Thread Diam. (in.)	Weight Each (lbs.)	Dimensions (in.)											
					A	C	D	E	F	H †	J	K	L	N	T	W
1	1090269	850	.31	.10	1.25	.75	1.02	.66	.50	.34	.69	.67	.69	.42	2.46	.31
2	1090287	1250	.38	.20	1.62	1.00	1.20	.75	.56	.41	.81	.92	.94	.55	3.00	.41
3	1090303	2250	.50	.50	2.00	1.25	1.44	1.00	.81	.53	1.13	1.13	1.25	.68	3.69	.50
4	1090321	3600	.63	.79	2.50	1.50	1.92	1.19	1.00	.66	1.31	1.38	1.50	.80	4.59	.69
5	1090349	5200	.75	1.25	3.00	1.75	2.28	1.38	1.12	.78	1.50	1.66	1.75	.98	5.55	.84
6	1090367	7200	.88	2.25	3.50	2.00	2.50	1.63	1.38	.91	1.88	1.91	1.88	1.06	6.16	1.00
7	1090385	10000	1.00	3.25	4.00	2.25	2.92	1.88	1.56	1.03	2.13	2.16	2.06	1.20	7.07	1.19
8	1090401	12500	1.13	4.70	4.50	2.50	3.35	1.94	1.88	1.16	2.38	2.47	2.50	1.40	8.16	1.38
10	1090410	18000	1.50	9.33	5.62	3.12	3.81	2.75	2.25	1.53	3.00	2.98	3.21	1.69	9.96	1.66

*Ultimate Load is 5 times the Working Load Limit. Rating based on UNC thread size shown in Max Thread Diameter column. † Dimension before machining (as forged).